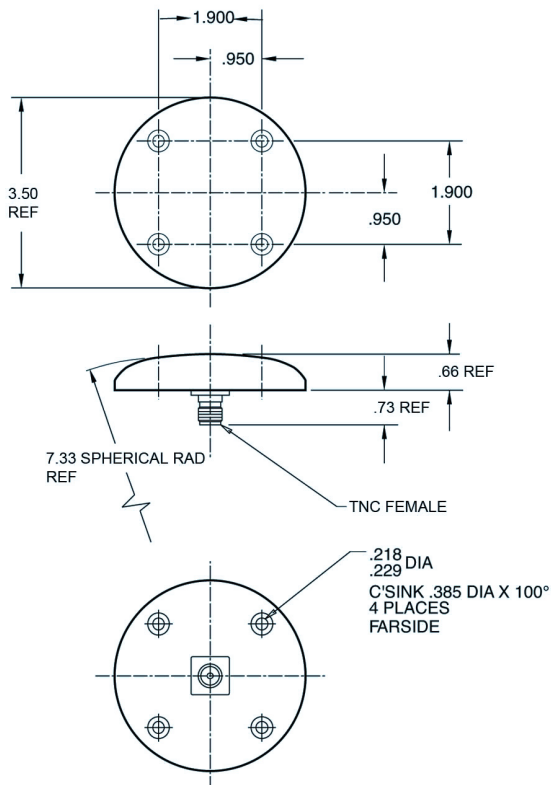


Satcom S67-1575-109



Please Note: For REFERENCE ONLY
Contact Sensor Systems for latest drawing

Description

S67-1575-109: Iridium/GPS antenna covers the frequency range from 1565 MHz to 1646.5 MHz for excellent Iridium operation and GPS L1 applications. The low-profile, molded radomes material and design insures superior protection against rain, ice and lightning strikes. DC-grounded and hermetically sealed. Qualified for high-speed military aircraft as well as ARINC applications.

The S67-1575-109 is approved as Iridium Compatible Equipment (ICE)

NSN: 5985-01-507-4547

FEDERAL & MILITARY SPECS: TSO-C129, DO-160C, MIL-DTL-5541, MIL-E-5400, MIL-STD-810

Specifications

Electrical

Frequency	GPS: 1575 ± 10 MHz Iridium: 1616-1626.5 MHz
VSWR	≤ 1.5:1
Polarization	RHCP
Impedance	50 Ω
Power Handling	60 Watts CW
Gain	+3 dBic @ Zenith

Mechanical

Weight	6 oz.
Height	.66 in.
Diameter	3.50 in.
Material	6061-T6 Aluminum Alloy / Thermoset Plastic
Finish	Skydrol Resistant Enamel
Connector	TNC Female

Environmental

Temperature	-55°C (-67°F) to +85°C (+185°F)
Altitude	55,000 ft.



A HEICO COMPANY

Website: www.sensorantennas.com

Phone: 818-341-5366