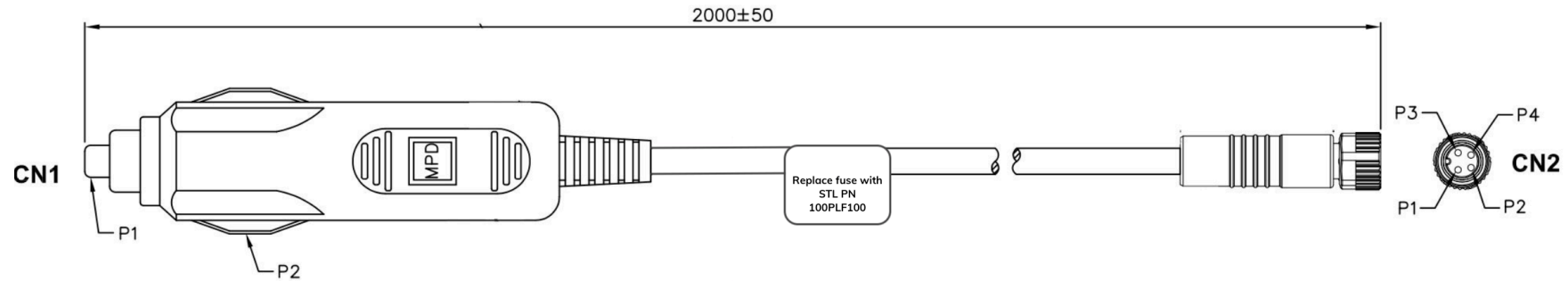


Rev	Change Note	Date
1.0	First Release	2020/07/02



Pin out:

	CN1		CN2
Negative	P2	Brown	P1
Positive	P1	White	P2

Instructions for hardwiring:

- The use of a 3A normal (fast) blow fuse and holder that are UL approved is required. Recommended fuse options:
 - Eaton Electronics BK/AGC-3-R
 - Conquer AFE3.00
- Brown is negative
- White is positive
- Blue and black wires must be cut back and heat shrink tubing applied to prevent shorting.

spidertracks			
Unit: mm		Sheet 1 of 1	
Name: Power Lead - 2m - Spider X		Approved	Checked
Part Number: 2000PWR602		Luke McCarthy	Carlos Rodriguez
Date: 2 July 2020			